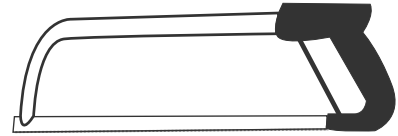
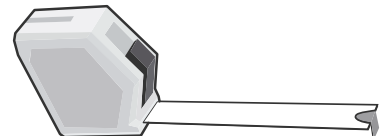
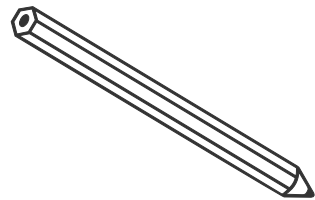
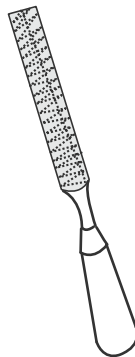
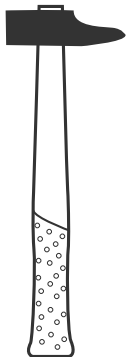
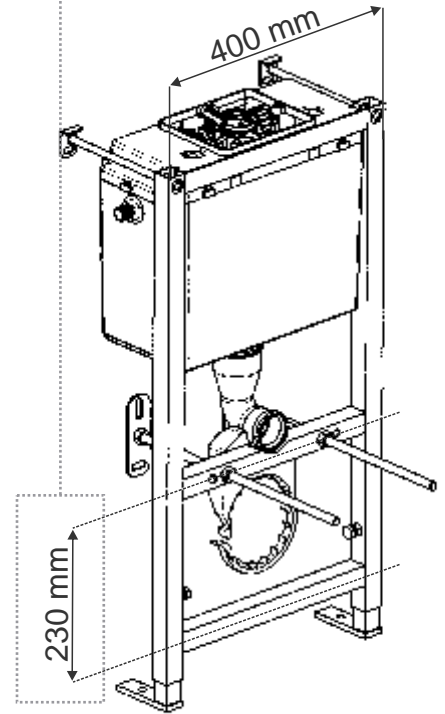
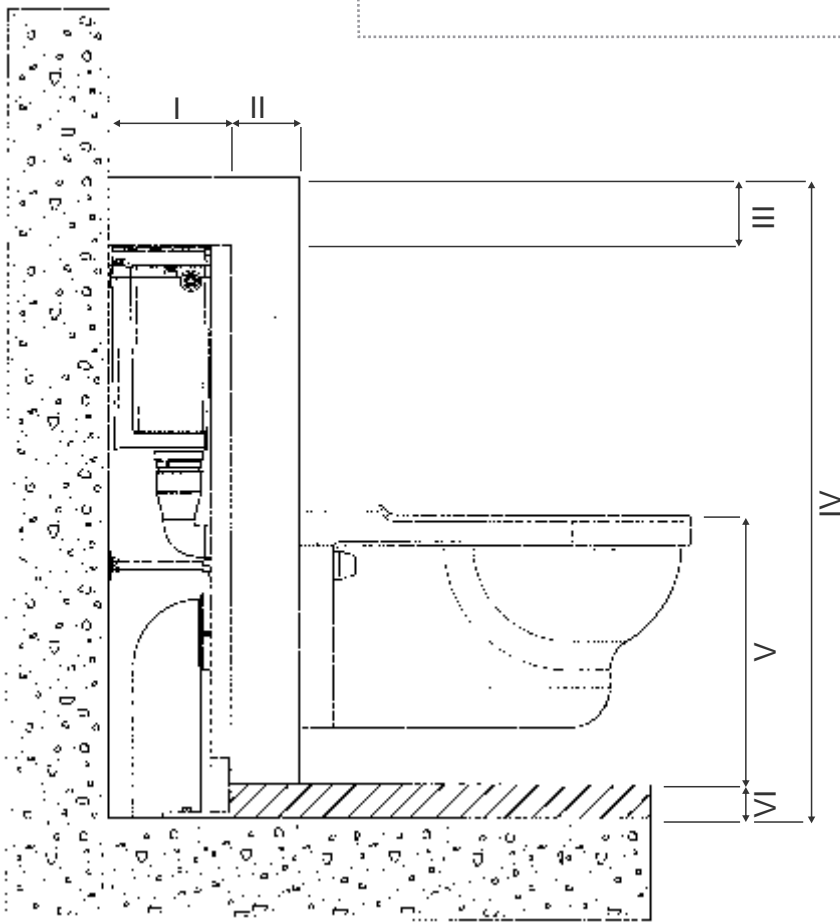
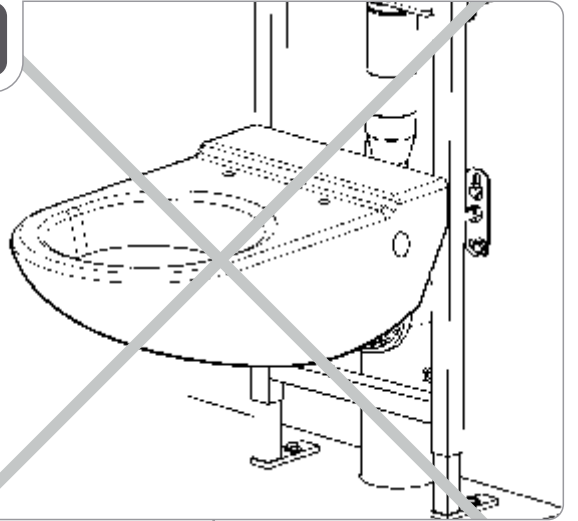
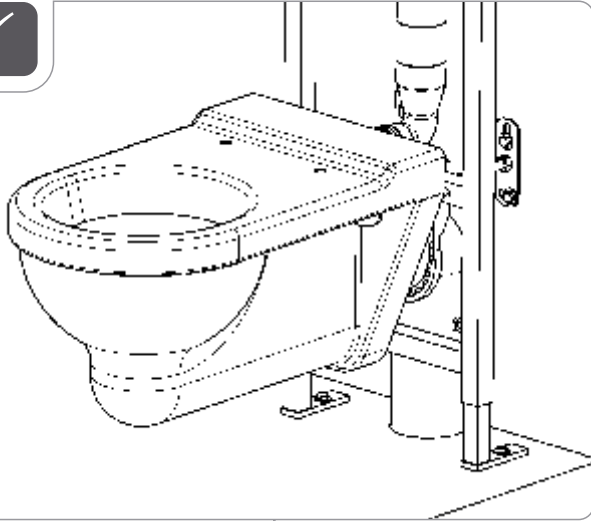


Ø 10 mm

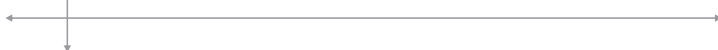


13 + 17 + 19

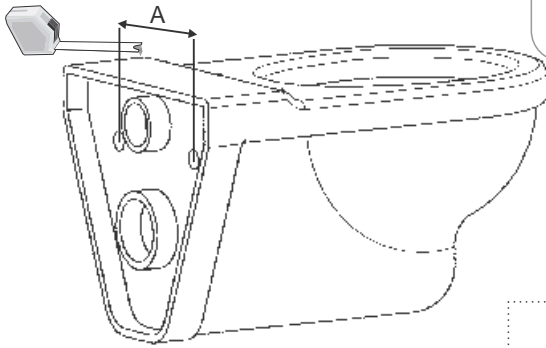




- I = 180 mm - 245 mm
- II = 20 mm - 100 mm
- III = 25 mm - 60 mm
- IV = 800 mm - 1000 mm
- V = 400 mm
- VI = < 185 mm



1



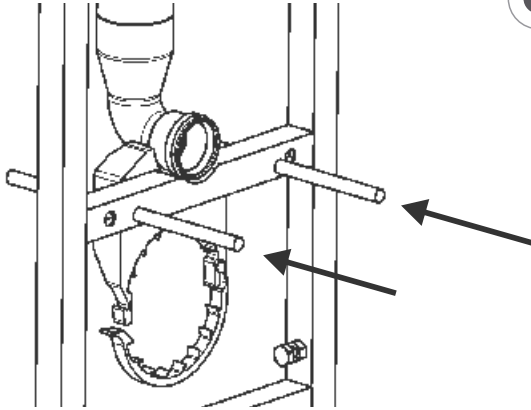
A = 180 mm

2-1

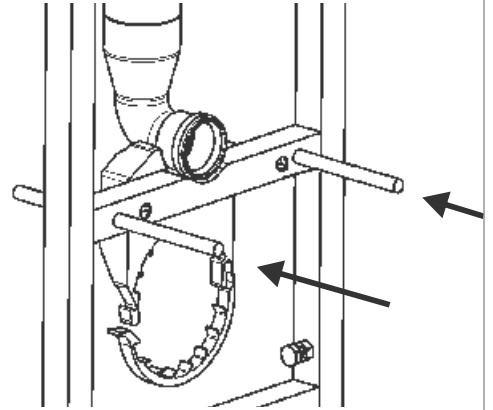
A = 230 mm

2-2

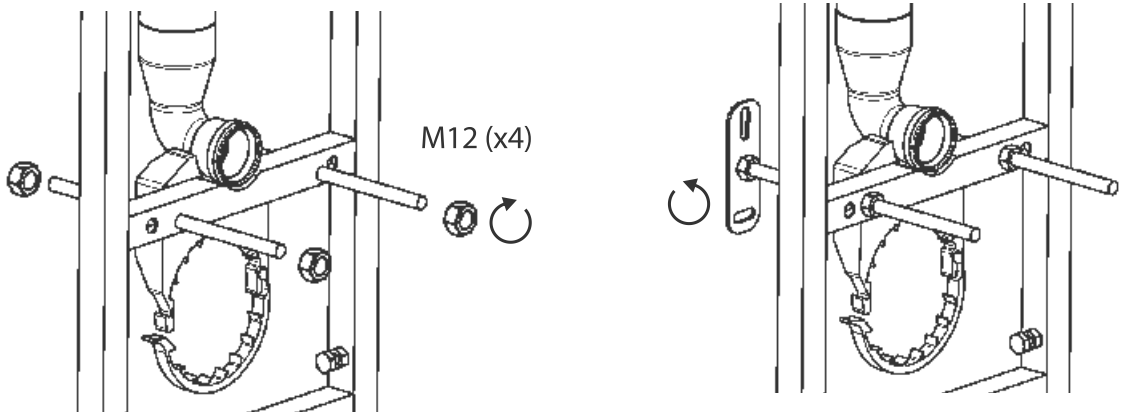
2-1



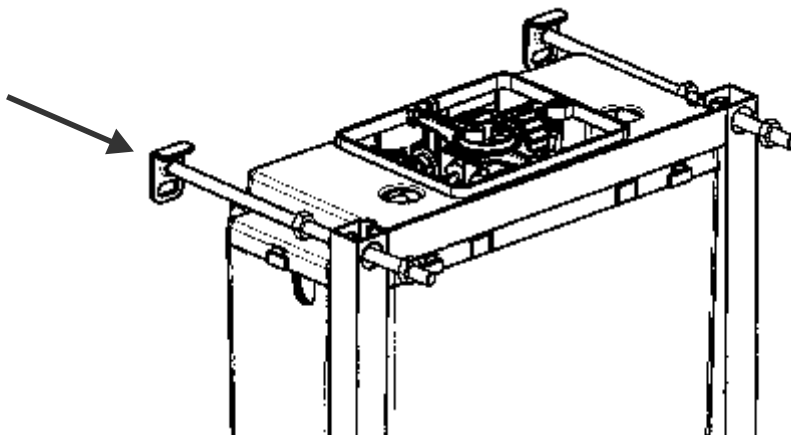
2-2



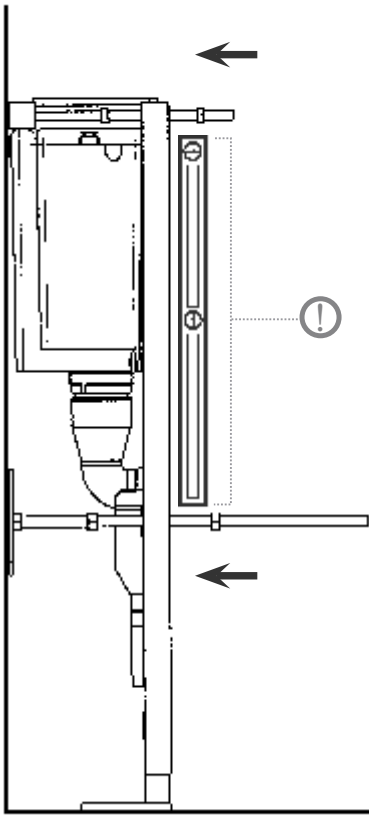
3



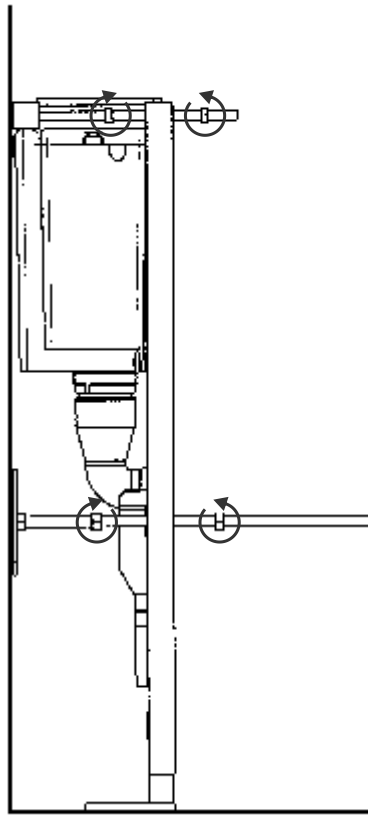
4



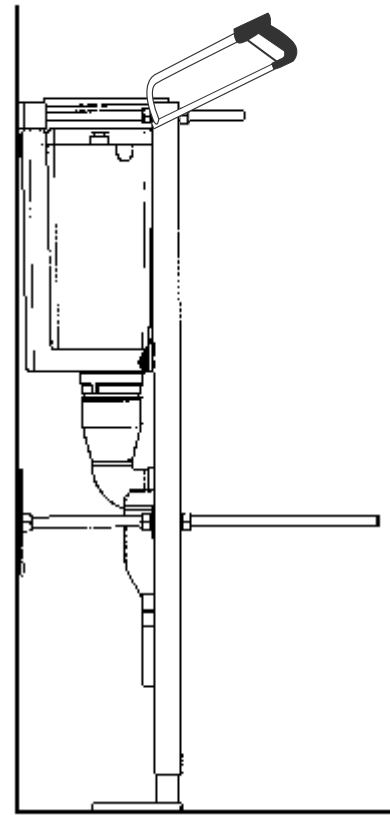
5



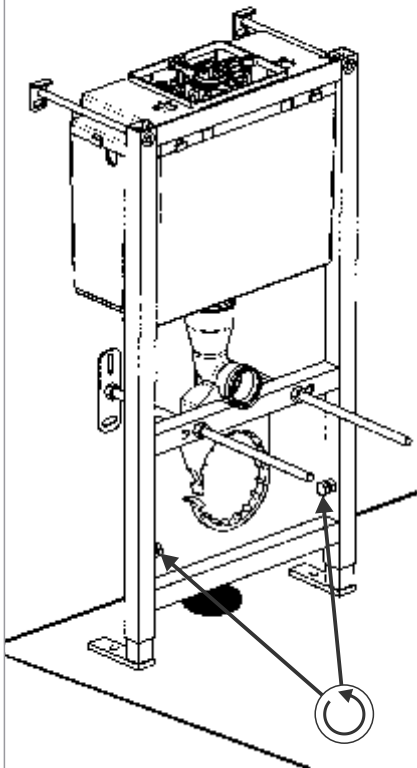
6



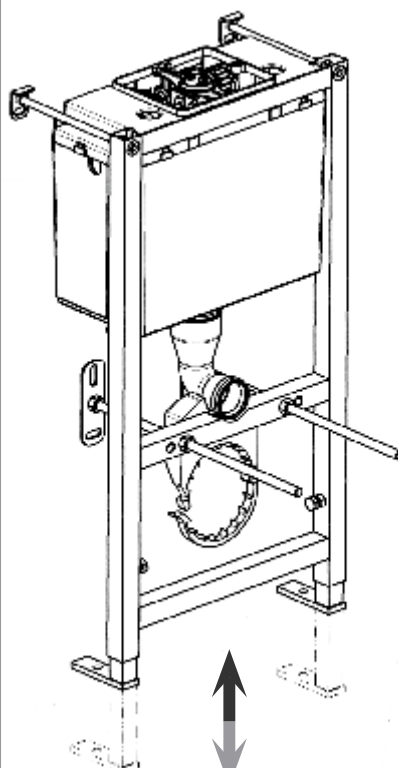
7



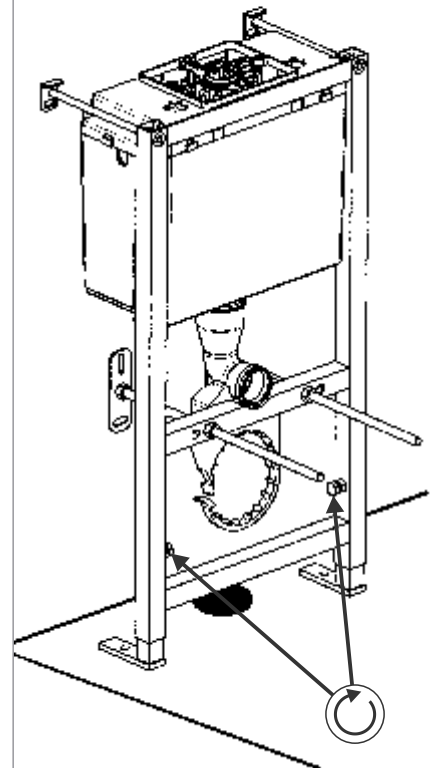
8



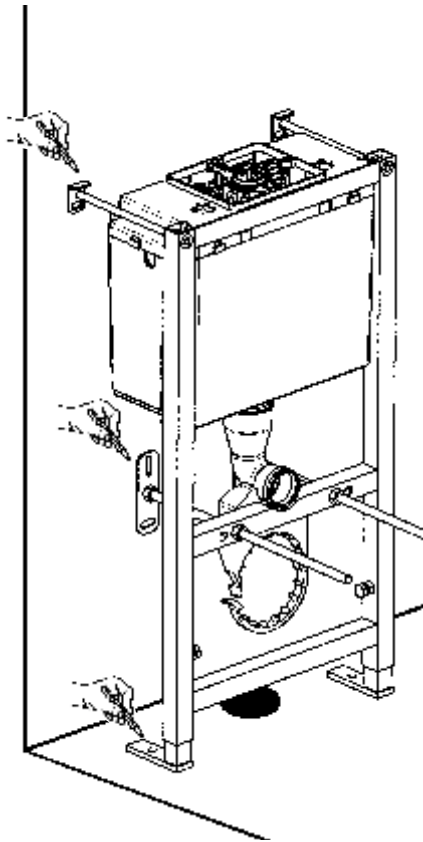
9



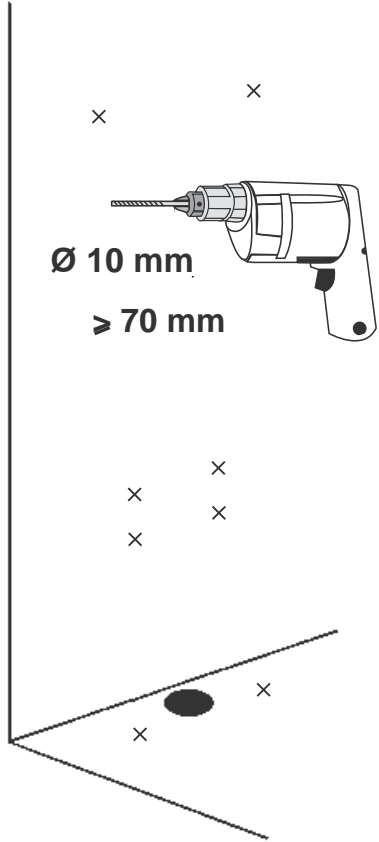
10



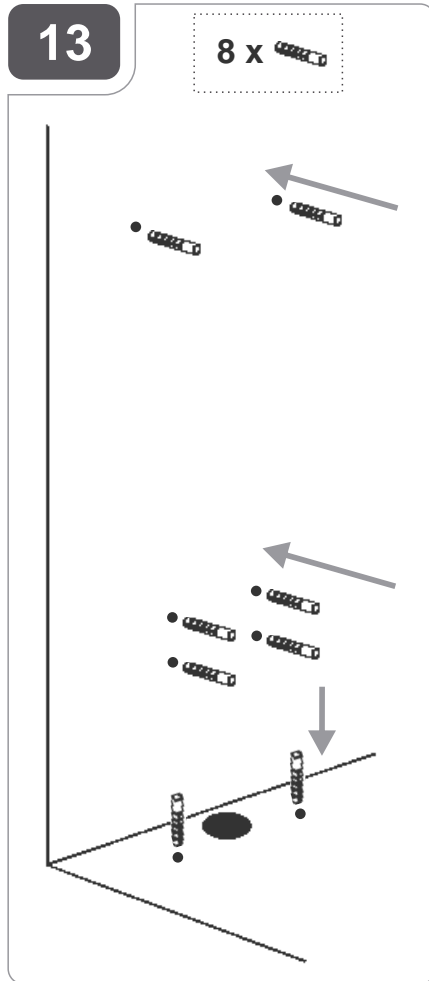
11



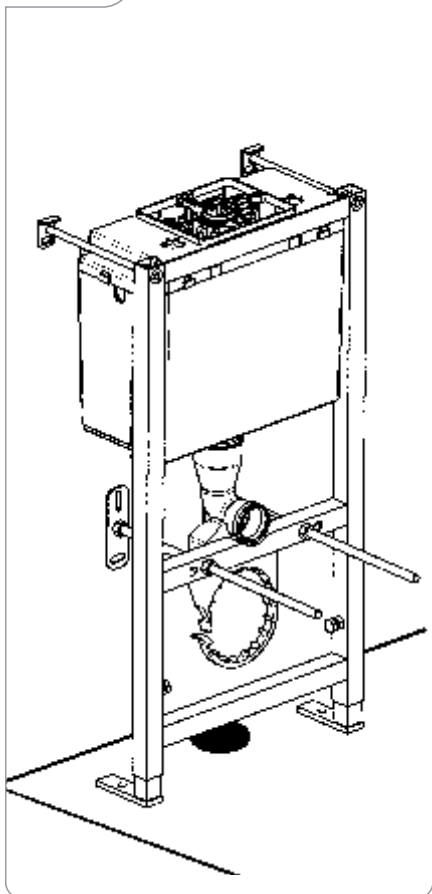
12



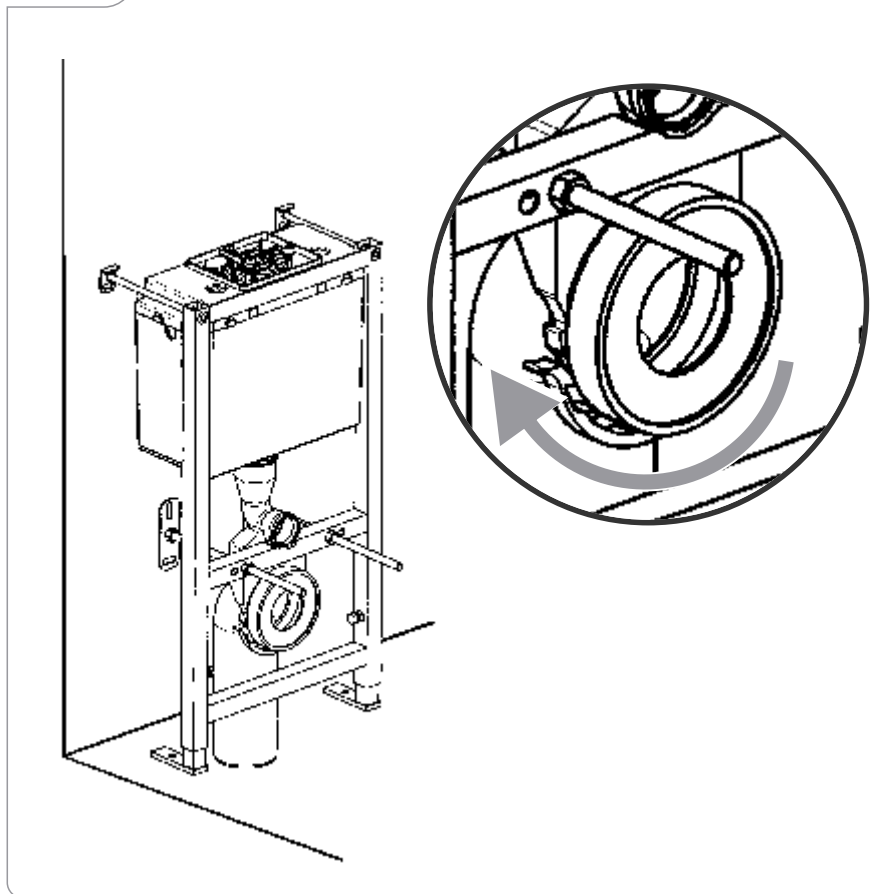
13



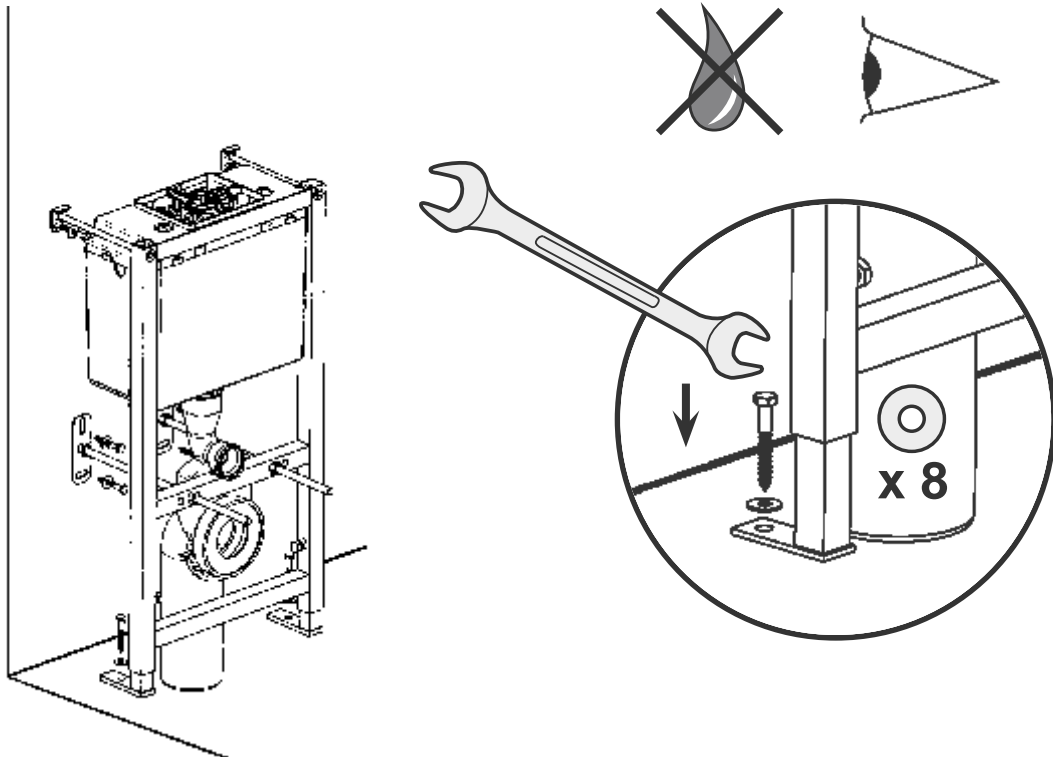
14



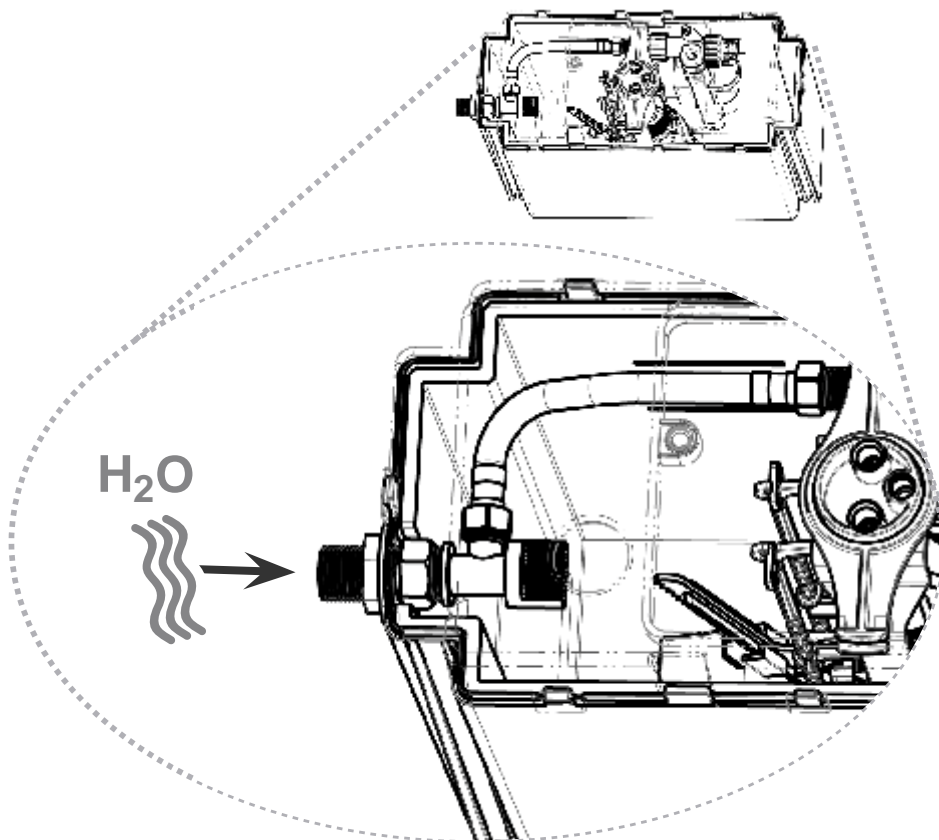
15



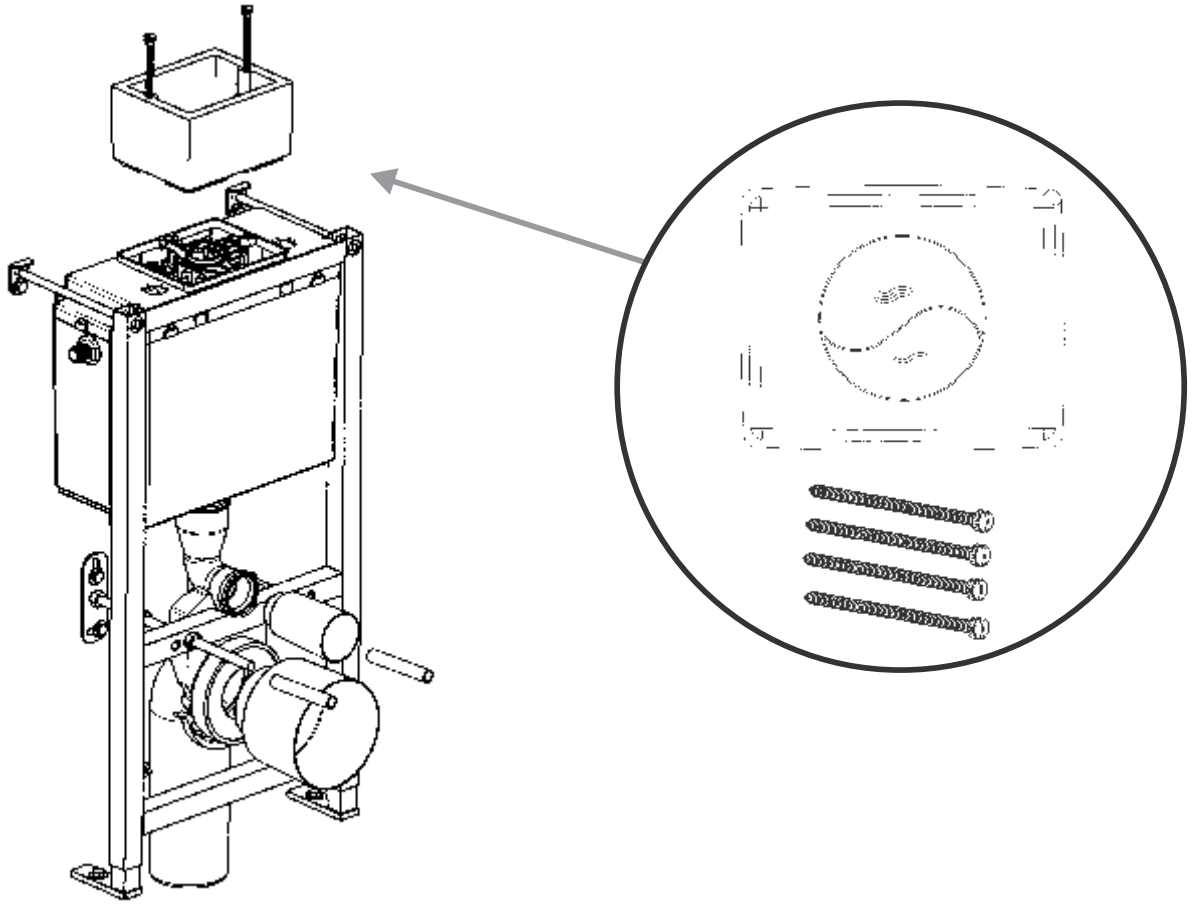
16



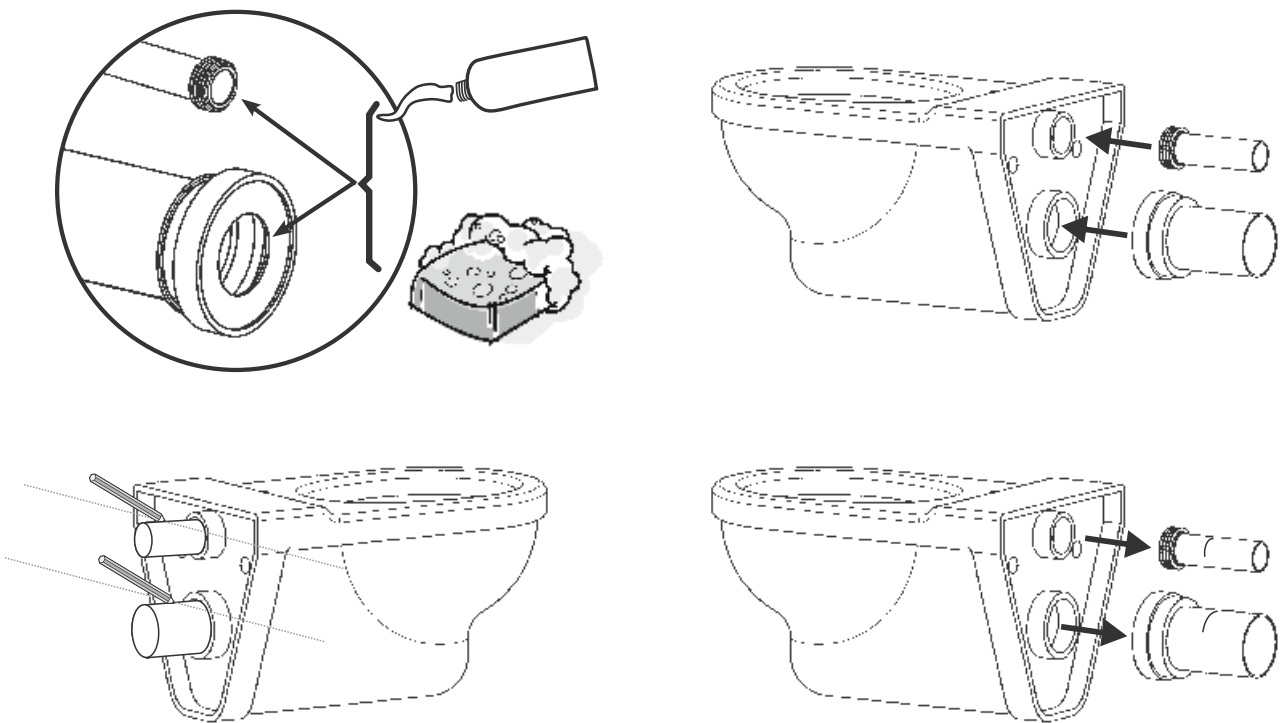
17



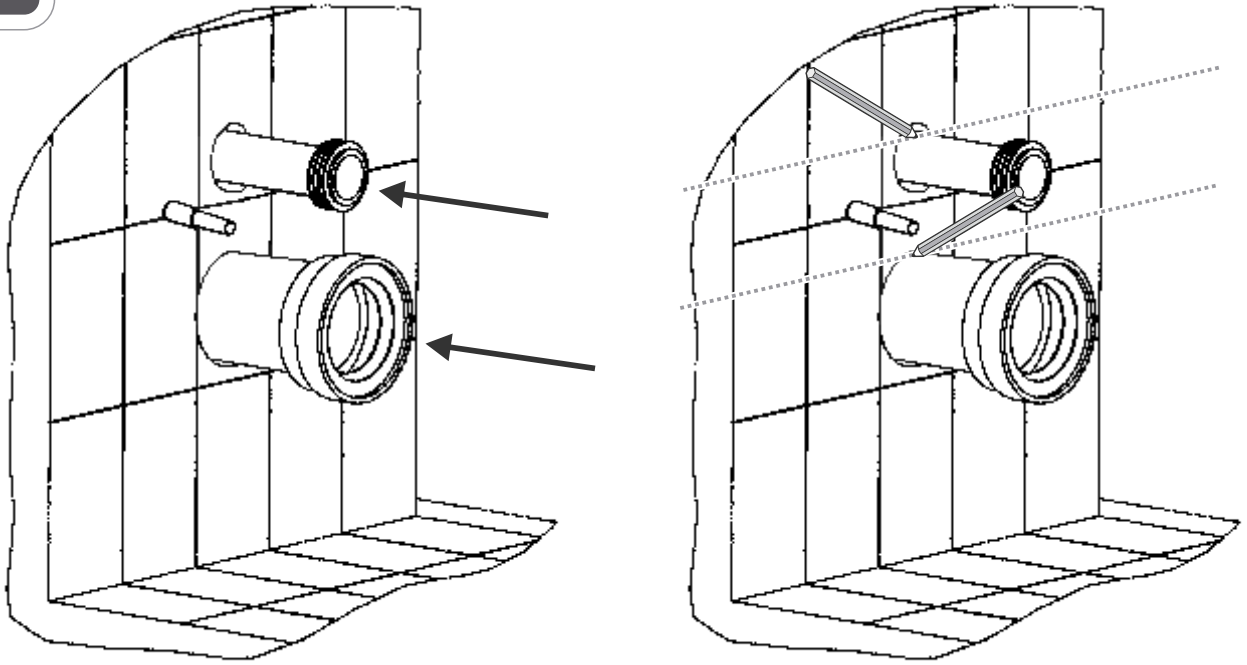
18



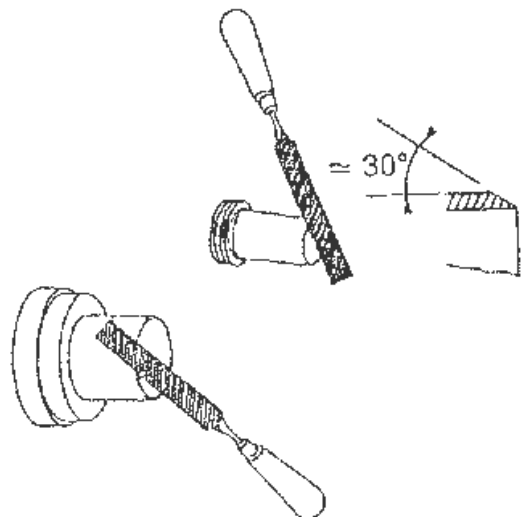
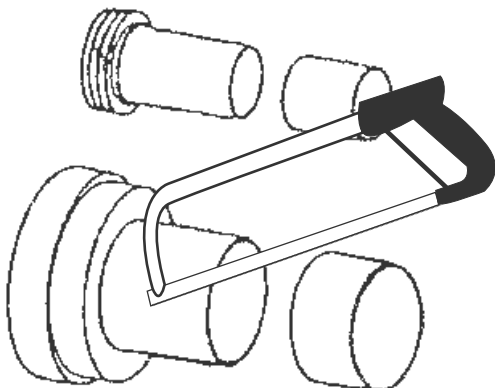
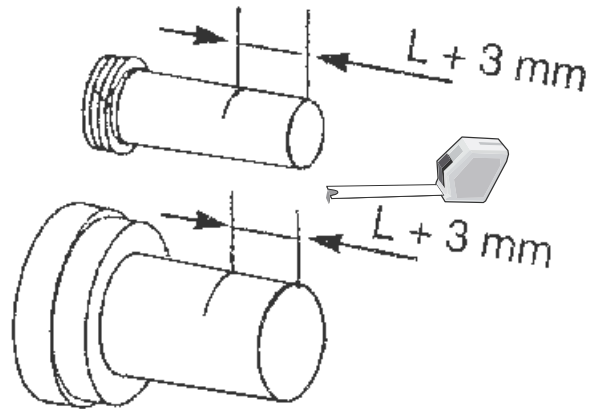
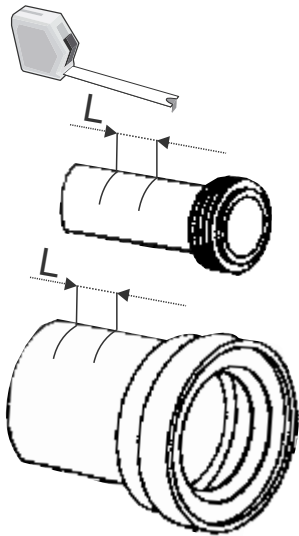
19



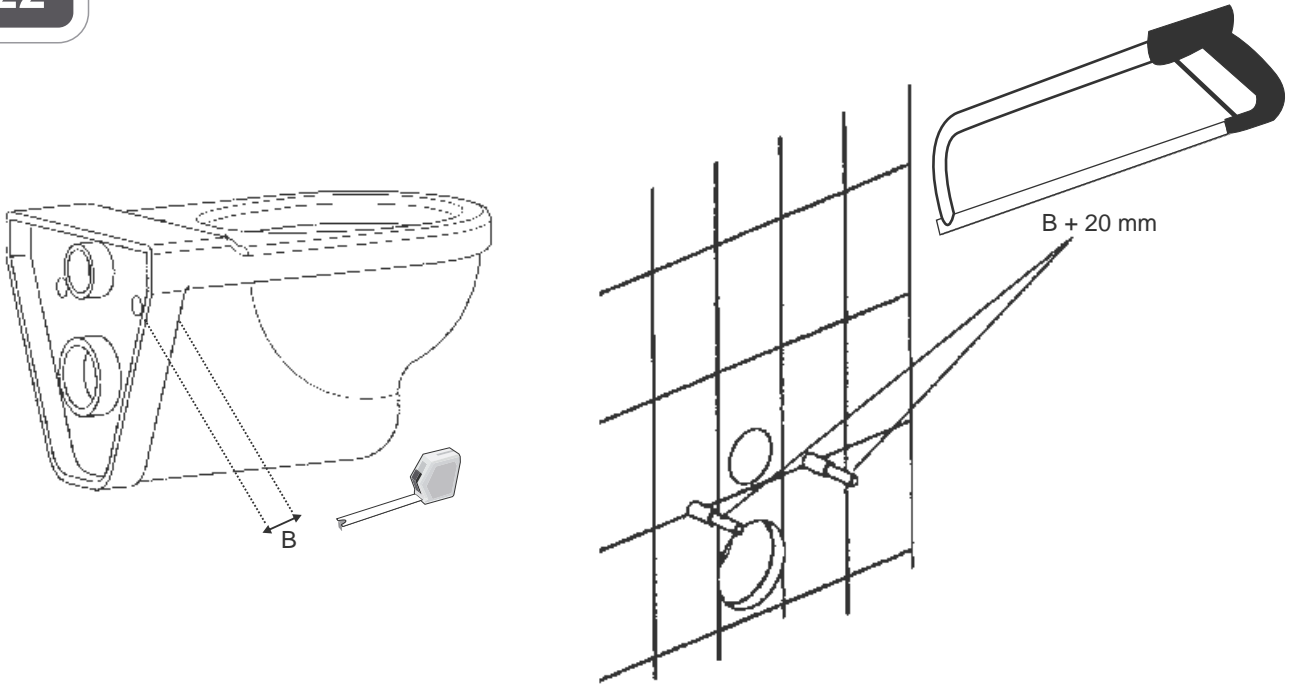
20



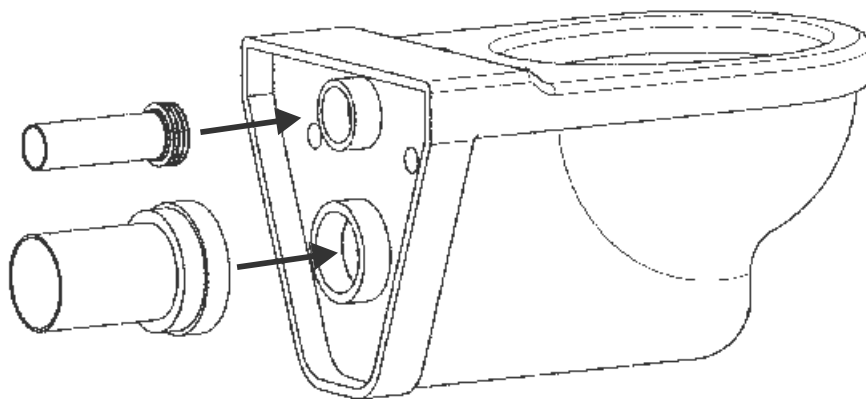
21



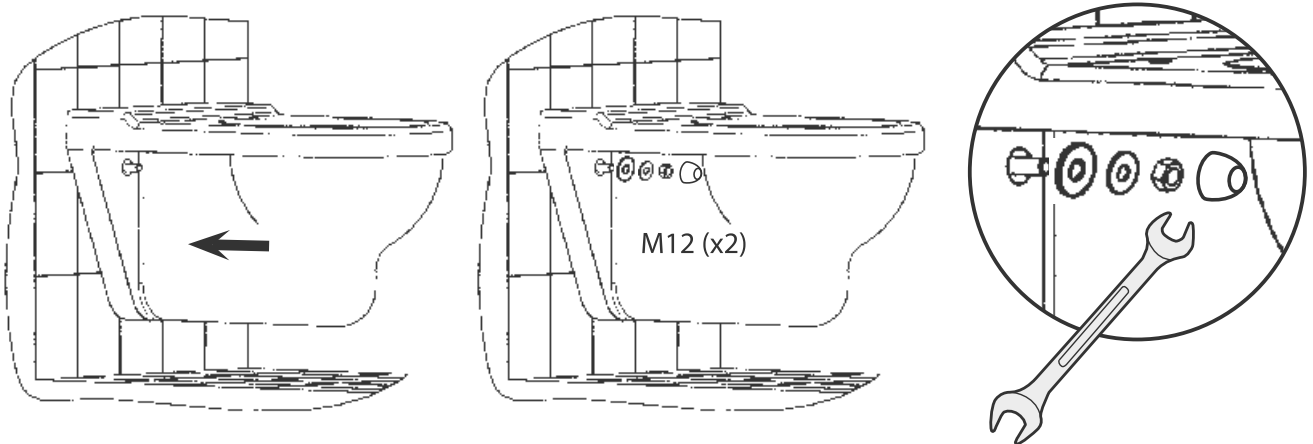
22

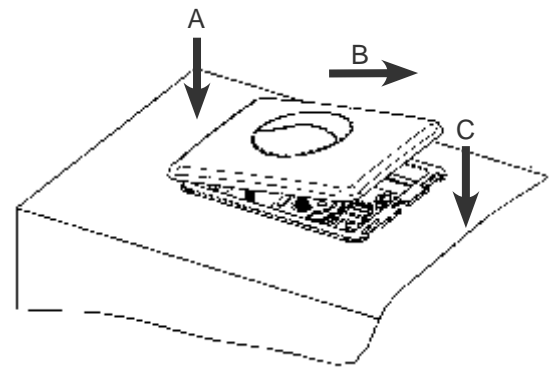
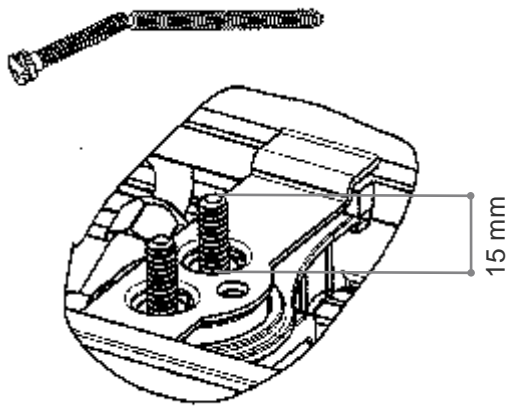
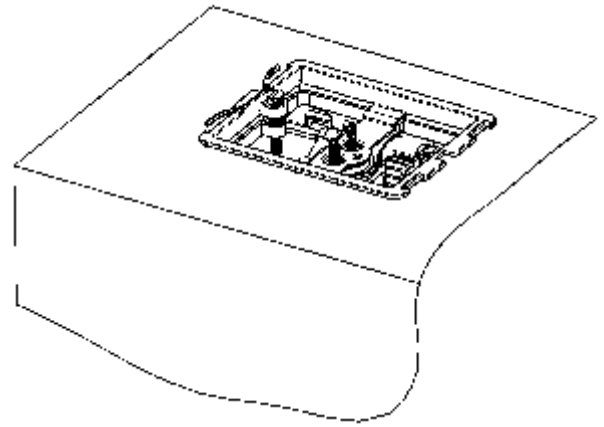
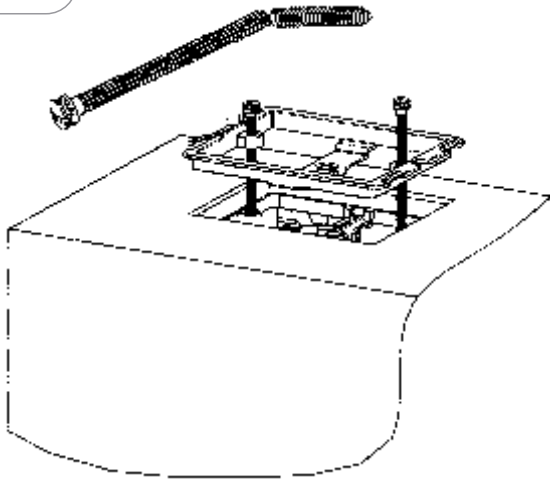


23



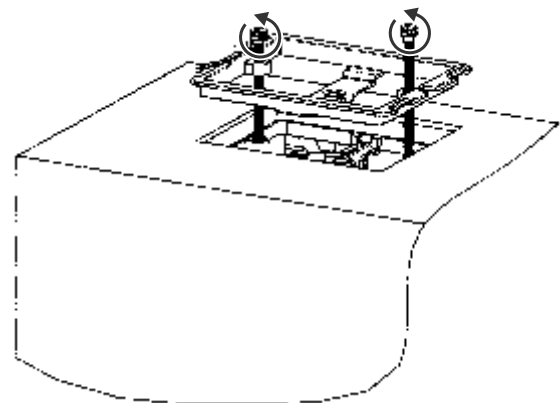
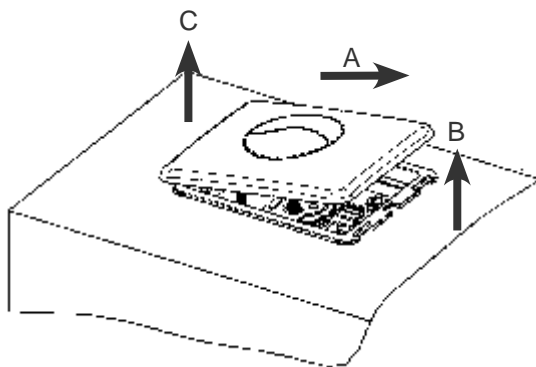
24





S

SERVICE



S**SERVICE**